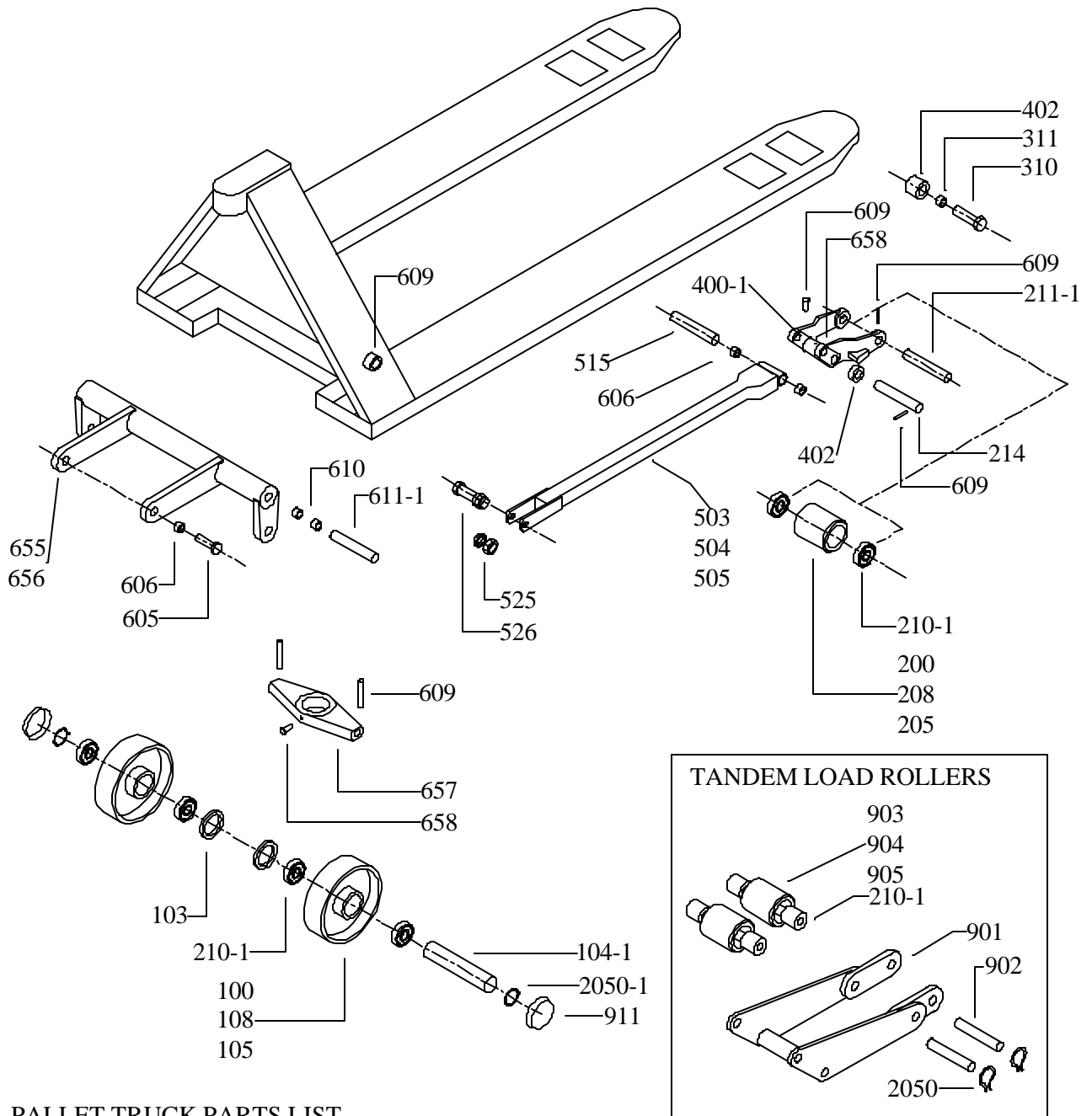


MOBILE ML55 FRAME ASSEMBLY PARTS BREAKDOWN



PALLET TRUCK PARTS LIST
ML55 2.9 LOWERED HEIGHT

No.	Description	No.	Description	No.	Description
100	Front Wheel-Steel	311	Spacer	610	Bushing
108	Front Wheel-Poly-Alum	400-1	Hanger	611-1	Pin Pivot
105	Front Wheel-Polyurethane	402	Guide Roller	655	Bell Crank 20.5"
103	Washer	503	Push Rod-36" Fork	656	Bell Crank 27"
104-1	Axle	504	Push Rod-42" Fork	657	Thrust Plate
200	Load Roller-Steel	505	Push Rod-48" Fork	658	Grease FTG.
208	Load Roller-Poly-Alum	515	Pin Push Rod	901	Bogie Link
205	Load Roller-Polyurethane	525	Cam-Adjust	902	Axle
210-1	Ball Bearing	526	Bolt Assy.	903	Roller-Steel
211-1	Roller Axle	605	Pin Pivot	904	Roller-Poly
214	Hanger Axle	606	Bushing	905	Roller-Nylon
310	Bolt	609	Pin Locking	911	Hub Cap